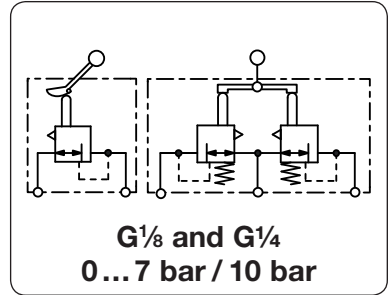


Pressure Regulator Lever-Operated

RN

Description	Lever mechanism allows the diaphragm regulator to operate as a proportional converter with pneumatic outlet signal. Moving the lever by 141° (RN1) or 32° (RN2) allows full-range adjustment of regulated pressure, e.g. from 0 to 7 bar. compressed air or non-corrosive gases	
Media	RN1	RN2
Supply pressure	max. 16 bar	max. 10 bar
Adjustment	by side lever	by vertical lever
Relieving function	0...141° angle range without spring reset	2x 0...32° angle range to each side with spring reset in centre position
Gauge port	relieving	relieving
Mounting position	G $\frac{1}{8}$ on both sides of the body, screw plugs supplied	
Temperature range	any	
Material	-40 °C to 80 °C / -40 °F to 176 °F Body: nickel-plated brass Elastomer: NBR/Buna-N	-20 °C to 70 °C / -4 °F to 158 °F Body: anodized aluminium Elastomer: NBR/Buna-N



Dimensions			Description	Flow rate	Connection thread	Pressure range	Order number
A	B	C					
mm	mm	mm		m 3 /h*1	l/min	G	bar

Regulator with side lever				supply pressure max. 16 bar, relieving, brass		RN1	
45	81	10	without spring reset	18	300	G $\frac{1}{4}$	0... 10
							RN1-02D



RN1

Regulator with vertical lever				supply pressure max. 10 bar, relieving, aluminium		RN2	
70	205	12	spring-centered	12	200	G $\frac{1}{8}$	0... 7
							RN2-01ZC
				centre-engaging			0... 7
							RN2-01RC
50	91	12	on/off switch				max. 20
							RN2-01EIN

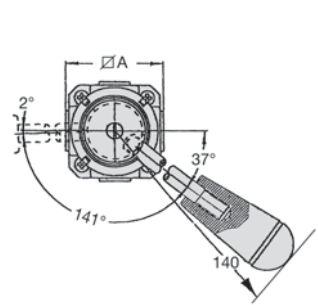


RN2-01ZC

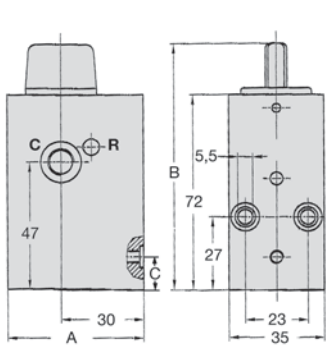
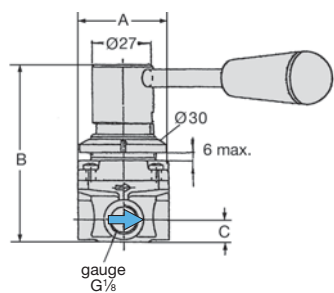
RN2-01EIN

Special options, add the appropriate letter

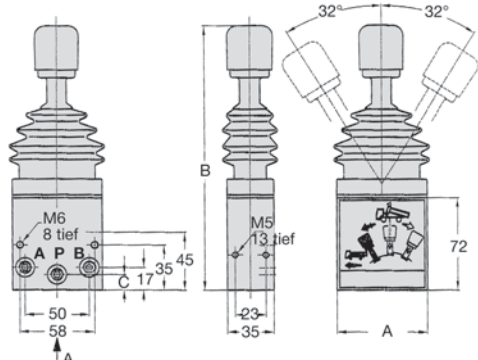
for oxygen specially cleaned, with oxygen grease for RN1 RN1-02 . 15



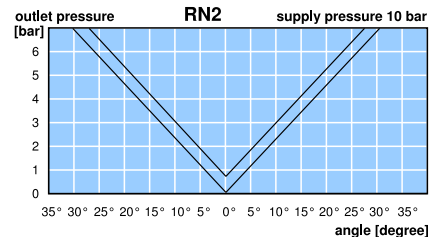
RN1



RN2-01EIN



RN2-01 . C



*1 at 7 bar supply pressure and 6 bar outlet pressure

- | | | | |
|-------------|--|--|--|
| RN2: | <ul style="list-style-type: none"> • also available with 3/2 or 5/2 valves • also available with pushbuttons | <ul style="list-style-type: none"> • combination with electrical switch possible • further variations on request | <p>PDF CAD
www.aircom.net</p> |
|-------------|--|--|--|

Order example:
RN1-02D

